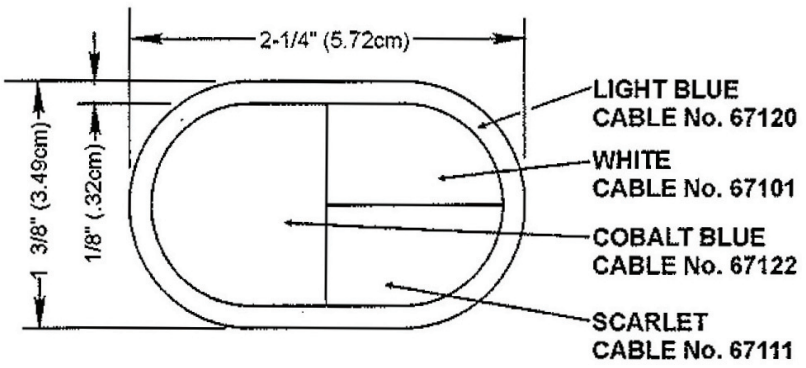


REVISIONS			
LTR	DESCRIPTION	DATE	APPROVED



**DESIGNED FOR OVEREDGE STITCHING**

UNLESS OTHERWISE SPECIFIED DIMENSIONS ARE IN INCHES TOLERANCES ON FRACTIONS DECIMALS ANGLES

MATERIALS:  
TO BE MANUFACTURED IN ACCORDANCE WITH MIL-DTL-14652

EXAMINED	TLC	
CHECKED	pm	SAO
PREPARED	GS	
APPROVED	 CHARLES V. MUGNO DIRECTOR	

THE INSTITUTE OF HERALDRY, DEPARTMENT OF THE ARMY  
 9325 GUNSTON RD, RM S-113 FORT BELVOIR, VA 22060-5579

BACKGROUND TRIMMING FOR

**197TH SUPPORT COMPANY**

SIZE	CONTROL IDENT. NO	<b>A-6-303</b>
<b>A</b>	<b>22571</b>	
SCALE	FULL	DATE
		<b>17 FEBRUARY 2012</b>